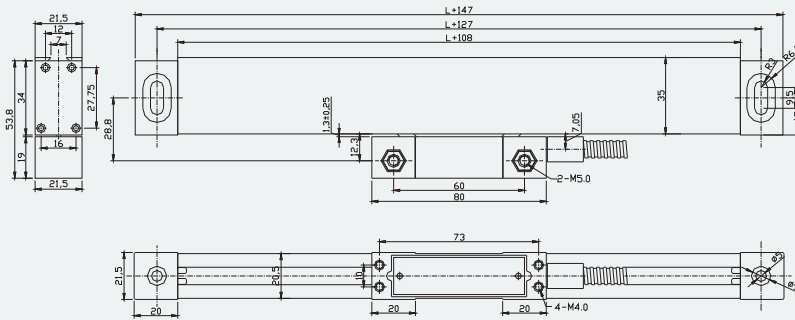




Abmessungen K+C Glasmaßstäbe
Dimensions K+C Glass Measuring Scales

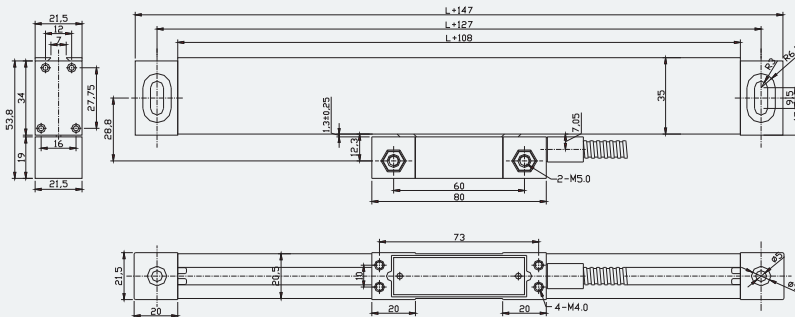
>> M5 (50 - 800mm)

K+C Glasmaßstäbe/Glass Measuring Scales M5 Series 50 - 800mm
Measurement Travel



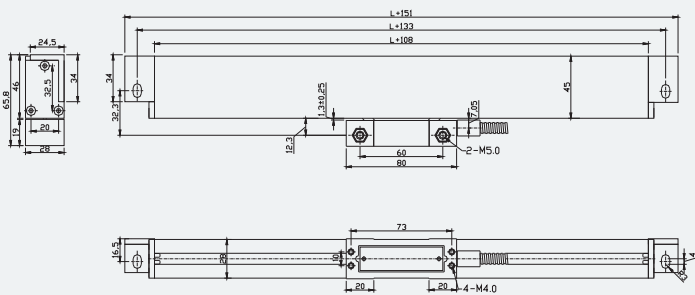
>> M5 (850 - 1200mm)

K+C Glasmaßstäbe/Glass Measuring Scales M5 Series 850 - 1200mm
Measurement Travel



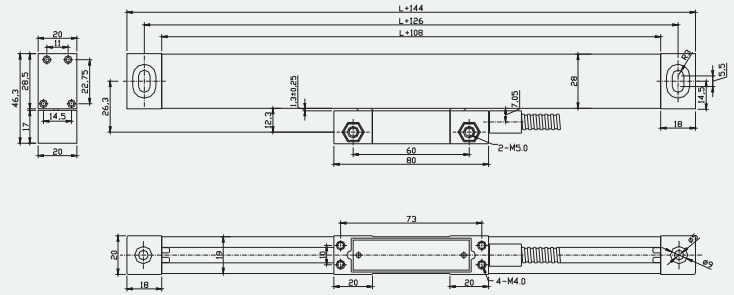
>> X5 (1300 - 3000mm)

K+C Glasmaßstäbe/Glass Measuring Scales X5 Series 1300 - 3000mm
Measurement Travel



>> S5 (50 - 500mm)

K+C Glasmaßstäbe/Glass Measuring Scales S5 Series 50 - 500mm
Measurement Travel



RÖSLI WERKZEUGMASCHINEN GMBH

MASCHINENREVISIONEN ♦ MONTAGEN ♦ MODERNISIERUNGEN
CH - 8153 RÜMLANG - LETTEN